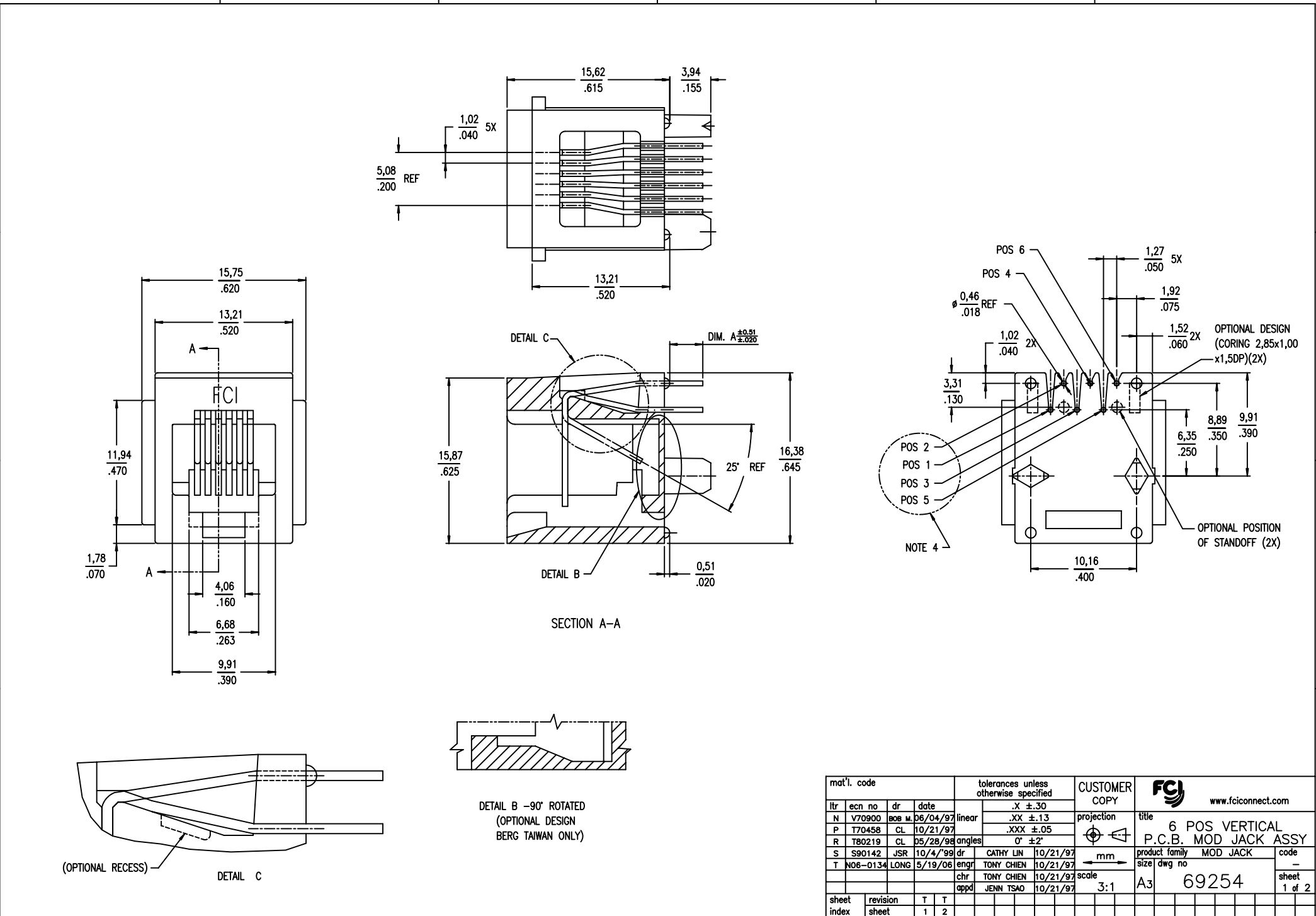


All rights strictly reserved. Reproduction or issue to third parties in any form whatever is not permitted without written authority from the proprietor.
 Property of © FCI ELECTRONICS
 Copyright FCI ELECTRONICS INC.



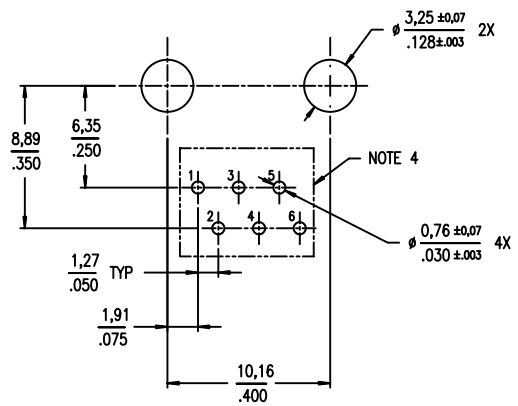
Tous droits strictement réservés. Reproduction ou communication a des tiers interdite sous quelque forme que ce soit sans autorisation écrite du propriétaire.
 Propriété de © FCI ELECTRONICS.
 Droits de reproduction FCI ELECTRONICS INC.



Tous droits strictement réservés. Reproduction ou communication a des tiers interdite sous quelque forme que ce soit sans autorisation écrite du propriétaire.
 Property of © FCI ELECTRONICS
 Droits de reproduction FCI ELECTRONICS INC.

All rights strictly reserved. Reproduction or issue to third parties in any form whatever is not permitted without written authority from the proprietor.
 Property of © FCI ELECTRONICS
 Copyright FCI ELECTRONICS INC.

PRODUCT NO.	POSITIONS LOADED	CONTACT PLATING	HOUSING COLOR	DIM. A	NOTES
69254-001	ALL	30u" GXT	BLACK	3.18	-
-002	2,3,4,5	30u" GXT	BLACK		-
-003	3,4	30u" GXT	BLACK		-
-004	2,3,4,5	30u" /0,76u Au	BLACK		-
-005	3,4	50u" /1,27u Au	BLACK		-
-006	3,4	30u" /0,76u Au	BLACK		-
-007	ALL	50u" /1,27u Au	BLACK		-
-008	ALL	30u" /0,76u Au	BLACK		-
-009	ALL	30u" GXT	BLACK		NOTE 1
-010	2,3,4,5	50u" /1,27u Au	BLACK		-
-011	ALL	30u" GXT	GREY		-
-012	2,3,4,5	15u" GXT	BLACK		-
-001A	ALL	30u" GXT	BLACK	NOTE 3	
-001L	ALL	30u" GXT	BLACK	3.94	-
-002L	2,3,4,5	30u" GXT	BLACK		-
-013	3,4	6u" /0.15um Au	BLACK	3.18	-
-014	2,3,4,5	2u" /0.05um Au	BLACK	3.18	-



BOARD LAYOUT
VIEWED FROM TOP

NOTE :

- ① SPECIAL PACKAGING.
- 2 GXT IS 0,76um / 30u" OR 0,28um / 15u" MIN GXT WITH Au FLASH OVER 1,27um / 50u" MIN Ni.
- 3 ALL THE SPECS OF 69254-001A ARE SAME AS 69254-001 EXCEPT THE HSG HAS NO ANY "OPTIONAL DIMS".
- ④ THIS PIN NUMBERING IS OPPOSITE TO FCC, PART 68, SUBPART F REQUIREMENTS.
- 5 ADD "LF" SUFFIX AT THE END OF PART NUMBER FOR LEAD FREE OPTION.
- 6 IF "LF" P/N THE PRODUCT MEETS EUROPEAN UNION DIRECTIVES AND OTHER COUNTRY REGULATION AS DESCRIBED IN GS-22-008.
- 7 THE HOUSING WILL WITHSTAND EXPOSURE TO 260° PEAK TEMPERATURE FOR 15 SECONDS IN A WAVE SOLDER PROCESS.

mat'l. code		tolerances unless otherwise specified		CUSTOMER COPY		FCJ www.fciconnect.com	
ltr	ecn no	dr	date	linear	projection	title	
T				.X ±.30		4 POS VERTICAL	
				.XX ±.13		P.C.B. MOD JACK ASSY	
				.XXX ±.05		product family MOD JACK	
				angles 0° ±2°		size dwg no	
				dr CATHY LIN 10/21/97	scale 3:1	A3 69254	
				enrg TONY CHIEN 10/21/97		sheet 2 of 2	
				chr TONY CHIEN 10/21/97			
				appd JENN TSAO 10/21/97			
sheet index	revision sheet					cage code 22526	